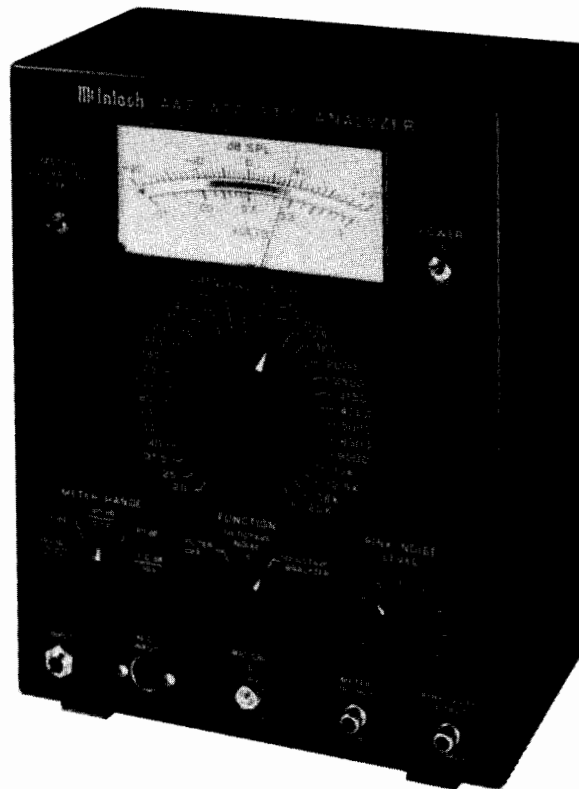


McIntosh

AA2 ACOUSTIC ANALYZER



SERVICE INFORMATION

STARTING WITH SERIAL NO. BU1001

McINTOSH LABORATORY INC. BINGHAMTON, NEW YORK 13903

039-027

PERFORMANCE LIMITS

METER CIRCUIT

Frequency Range: 20 Hz to 20 kHz, response ± 0.5 dB
Waveform Response: Average responding calibrated in RMS volts and dB SPL
Averaging Time: Selectable, fast and slow (5 sec. and 30 sec.)
Signal Range: SPL, 60 dB to 100 dB at mid scale volts, 1mV to 100m volts AC full scale
Meter Scales: Volts calibrated from .01 to 1. SPL, calibrated from -20 dB to + 20 dB
Crest Factor: Greater than 4 at full scale.
Input Impedance: 50k ohms and less than 50pF
Meter Output Level And Impedance: 1 volt output at full scale meter reading
Source impedance 300 ohms
Load impedance not less than 10k ohms

ONE THIRD OCTAVE FILTER

Frequency Range: 20 Hz to 20 kHz in 31 ranges with ISO recommended band frequencies (20, 25, 31.5, 40, 50, 63, 80, 100, 125, 160, 200 and multiples of 10 and 100 thereof)
Selectivity: 1/3 octave bandwidth (29% wide). Two filter sections are used each having a pole butterworth filter characteristic. At .58 and 1.8 times the center frequency, each section is down 15 dB (30 dB for both sections).

PINK NOISE GENERATOR

Frequency Range: 20 Hz to 20 kHz with output ± 1 dB per 1/3 octave bandwidth
Output Level: 0 to 1 volt RMS into 10 k ohms or higher. Output source impedance less than 1 k ohm.
Output is peak limited for all settings of the level control.
Crest Factor: About 4
Source: Digital logic pseudo random noise generator

CM 201 CONDENSER MICROPHONE

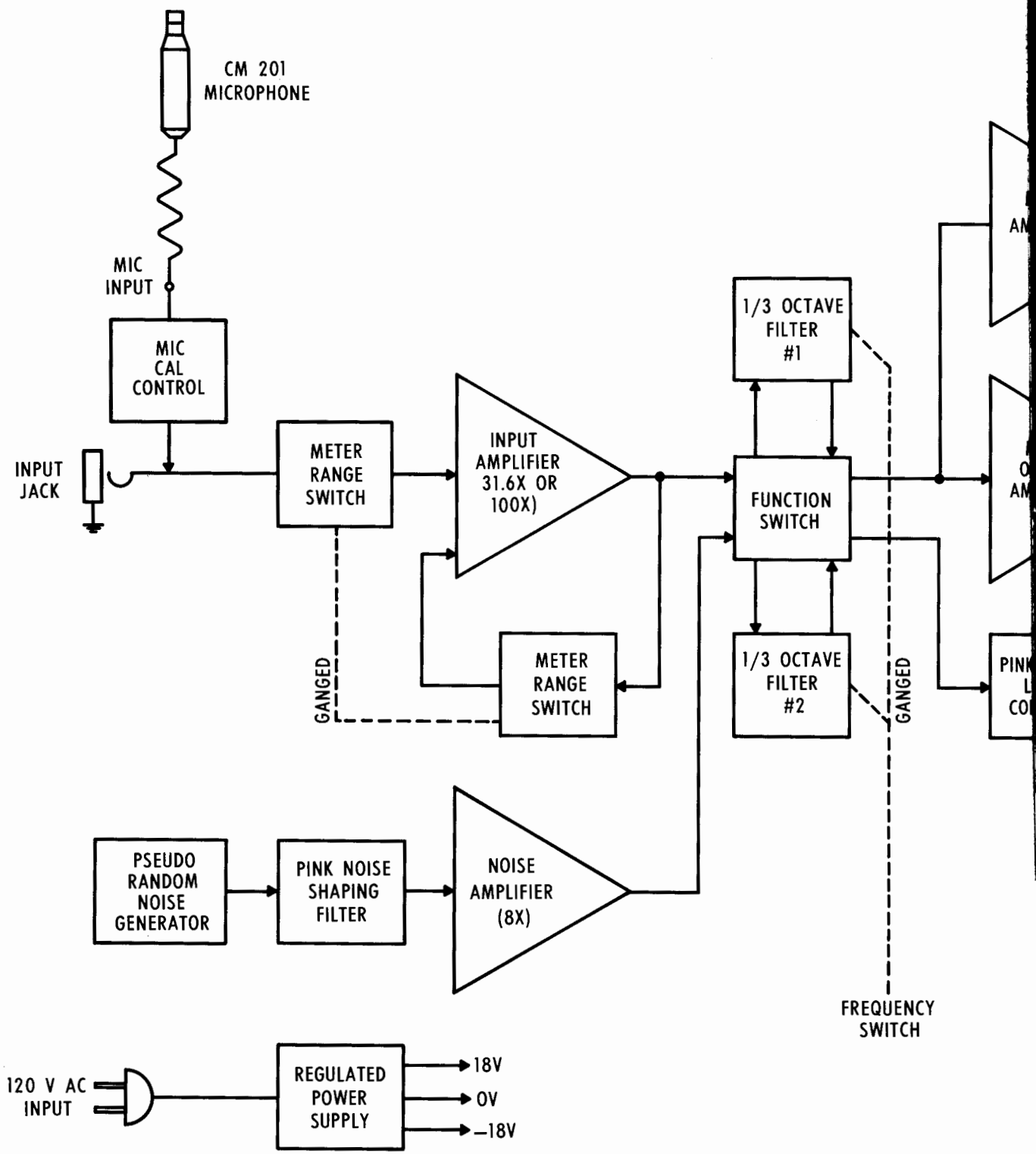
Response 20 - 20,000 Hz (see typical curves)
Sensitivity -65 dB re 1 volt per microbar at 1 kHz nominal
Noise equivalent 44 dB SPL unweighted
Cartridge diameter 13 mm (.46 inches)
Cable:- Two conductor shielded. Length 10 meters (32.8 feet)
Stand adapter with 5/8 - 27 thread

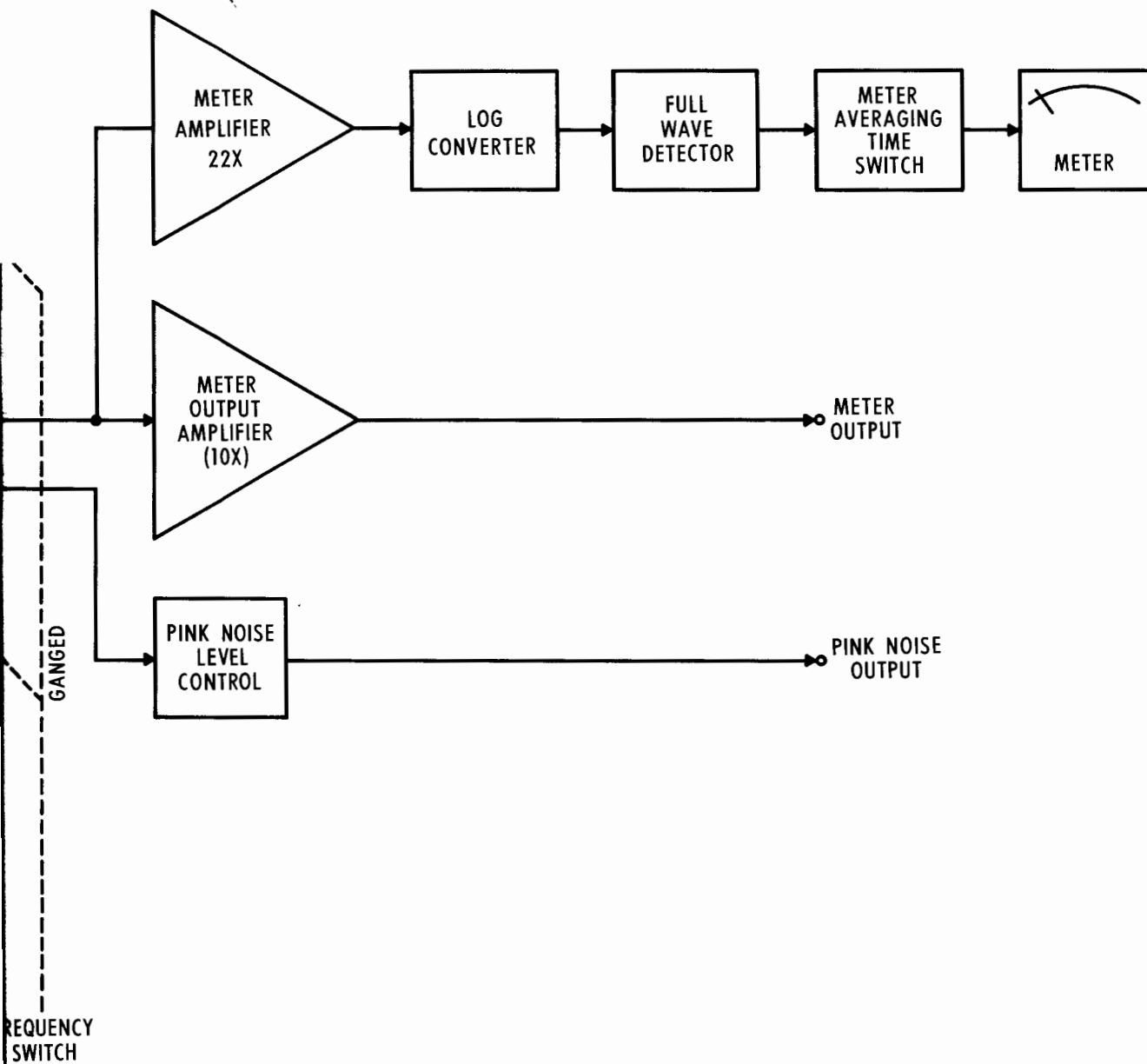
POWER REQUIREMENTS

120 volts, 50-60 Hz, 6 watts

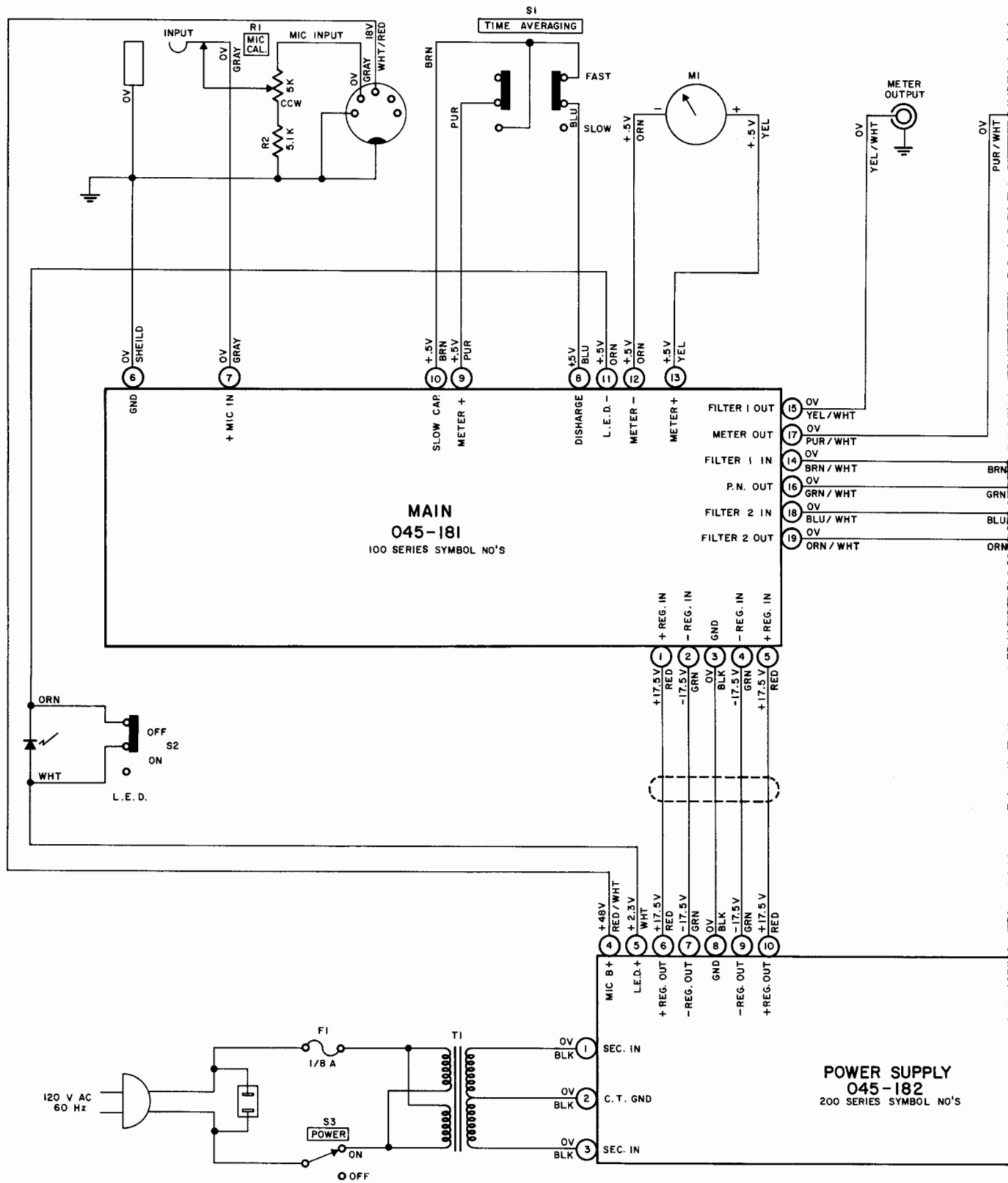
MECHANICAL INFORMATION

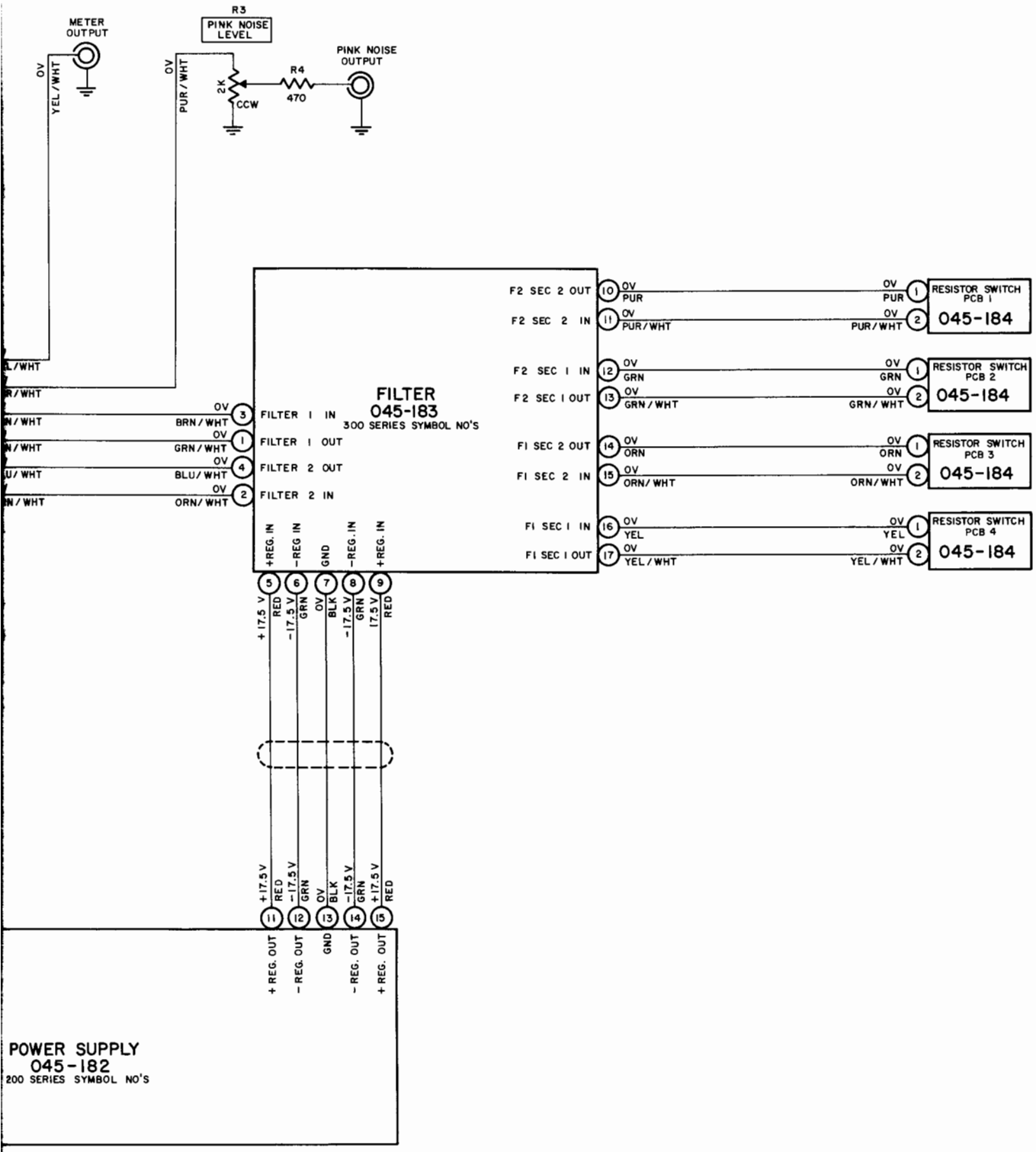
Size: Length 11.75" (29.8 cm), width 8.75" (22.2 cm), height 9.5" (24.1 cm)
Weight: 14 pounds (6.35 kg) net, 16 pounds (7.26 kg) in shipping carton
Finish: Black





BLOCK DIAGRAM

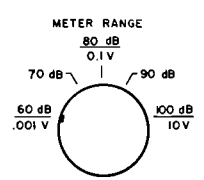
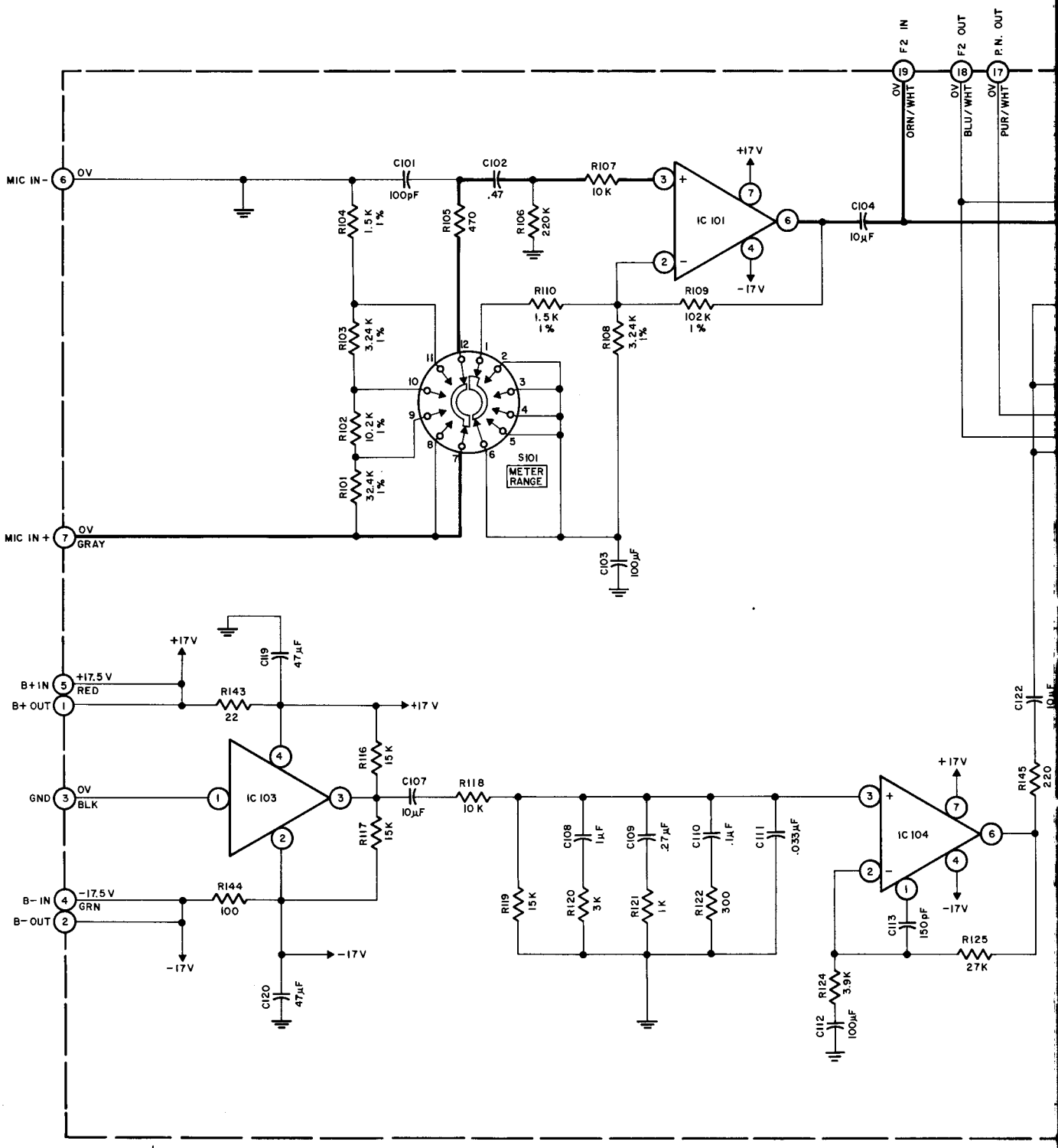




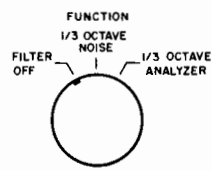
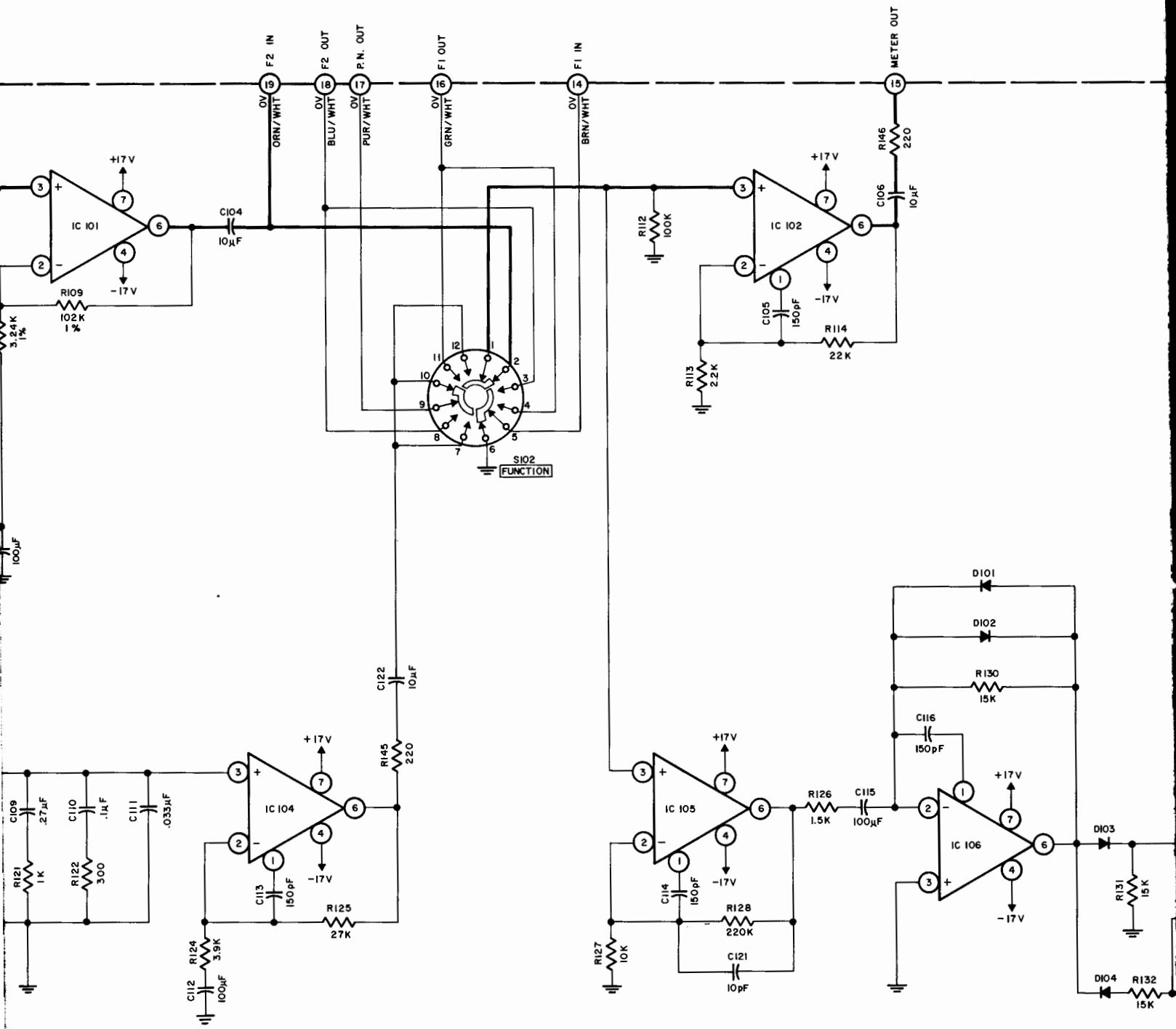
SCHEMATIC NOTES

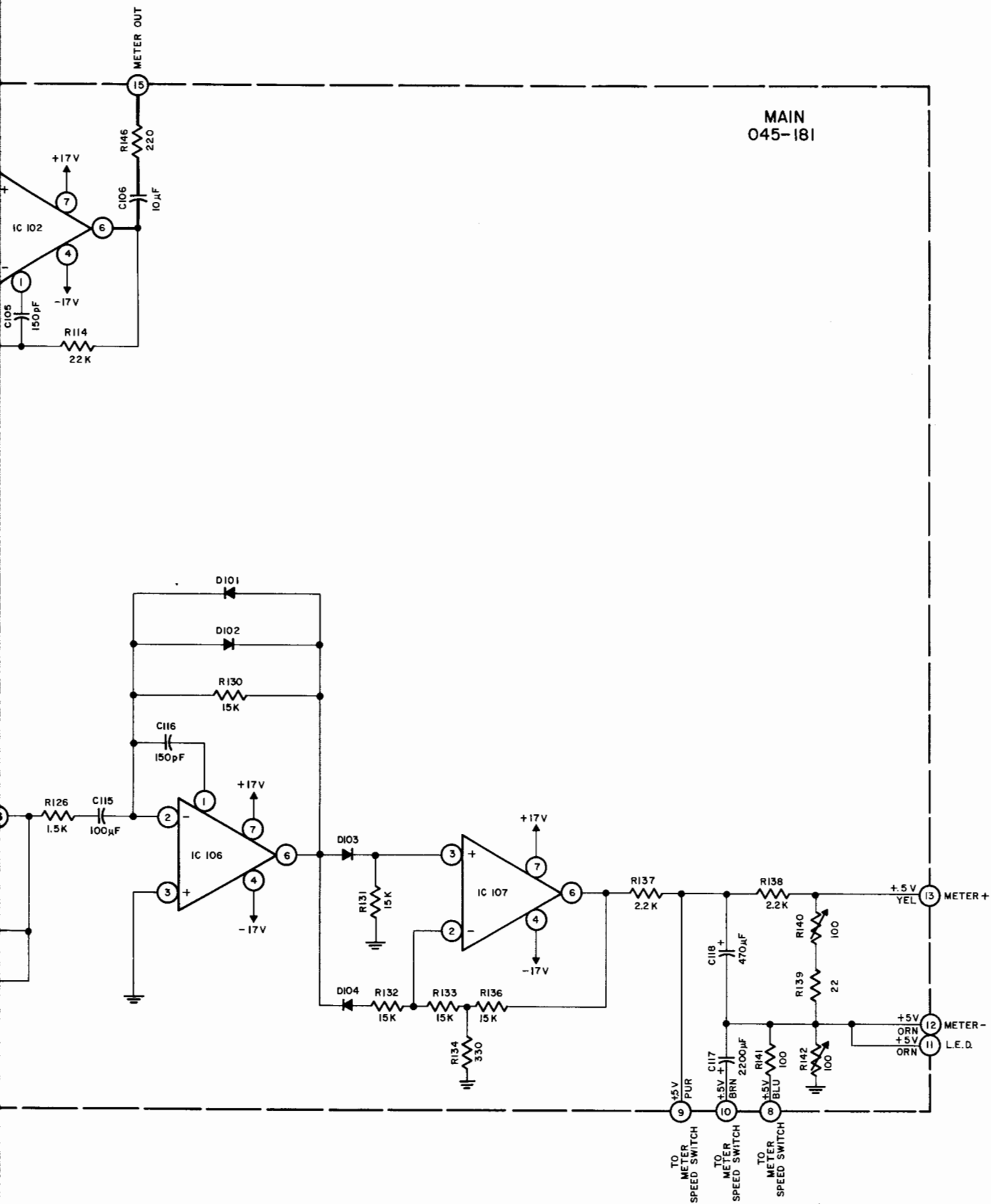
1. Unless otherwise specified: Resistance values are in ohms, 1/4 watt, and 5% tolerance; capacitance values smaller than 1 are in microfarads (μF); capacitance values greater than 1 are in picofarads (pF); inductors are in microhenries (μH).
2. Printed circuit board components are outlined on the schematics by dotted lines. The circled numbers around the dotted lines correspond to the numbers on the PC Board layouts.
3. The heavy lines on the schematics denote the primary signal path. The heavy dash lines on the schematics denote a secondary signal path.
4. The terminal numbering of rotary switches is for reference only.
5. All voltages indicated on the schematics are measured under the following conditions:
 - a. Use of an 11 megohm input impedance VTVM.
 - b. All voltages $\pm 10\%$ with respect to chassis ground.
 - c. No signal at input terminals.
 - d. AC input at 120 volts, 50/60 Hz.
 - e. Front panel controls at:

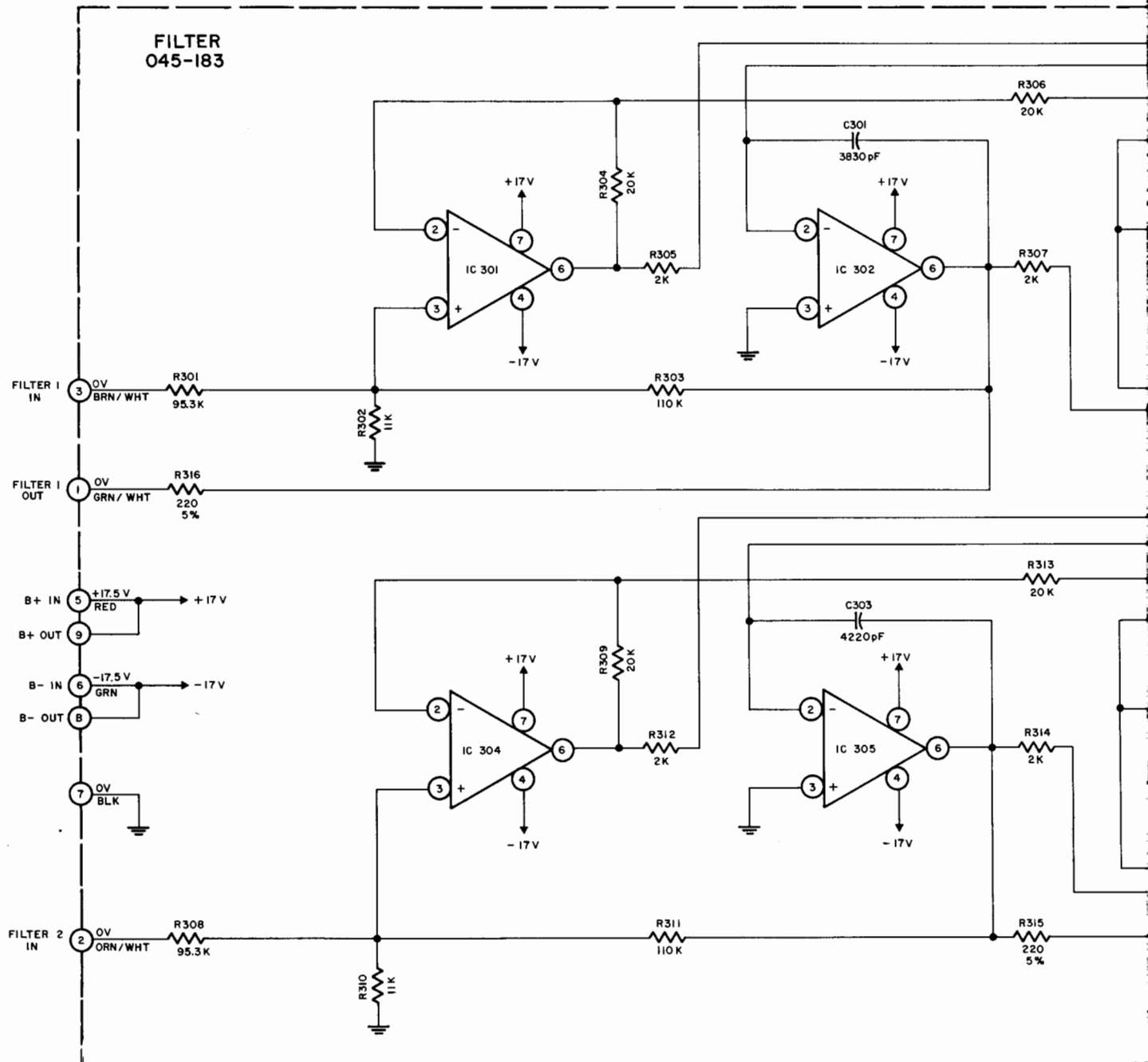
Meter Avg. Time	Fast
Frequency	1000Hz
Meter Range	80dB
Function	Filter Off
Pink Noise	ccw
6. Four identical resistor switch P. C. boards are used per AA 2. Switch sections are numbered 1 thru 4 and resistors are numbered -1 thru -4. Example, R422-1 is on section 1 and R422-3 is on section 3.

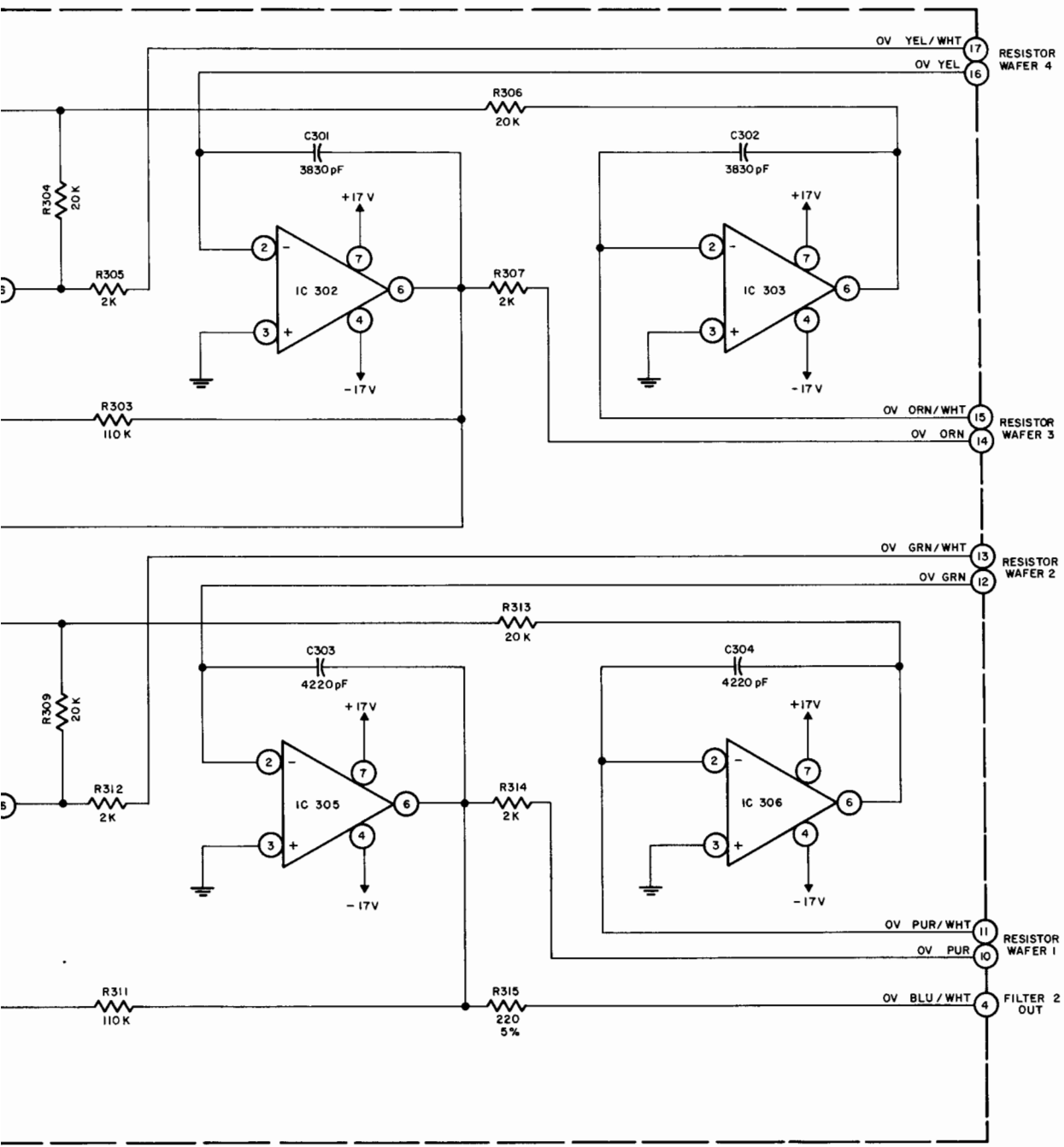


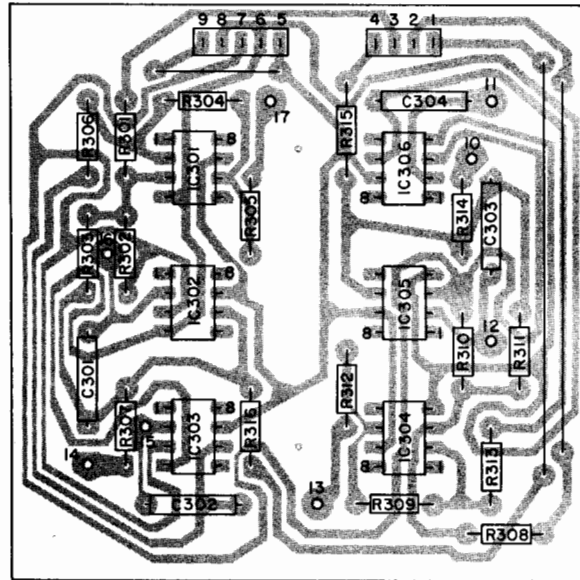
FILE NO.



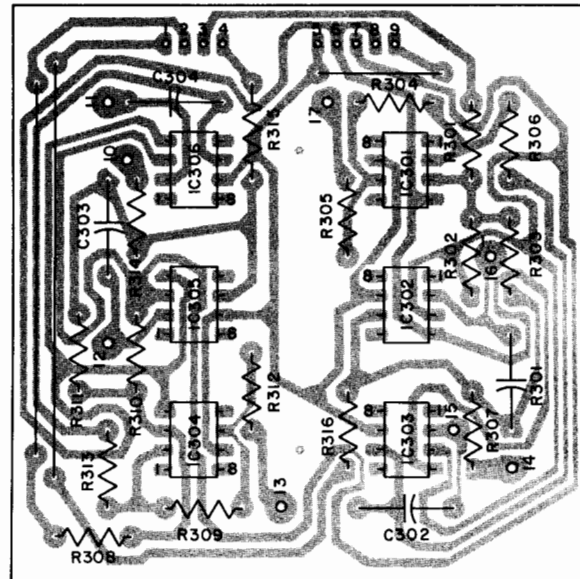


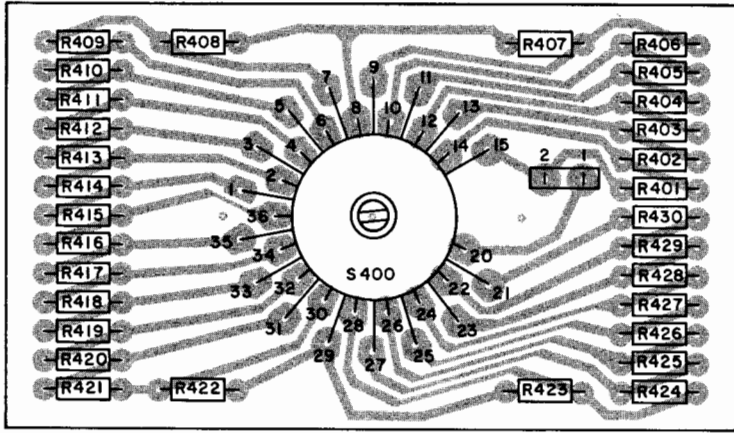




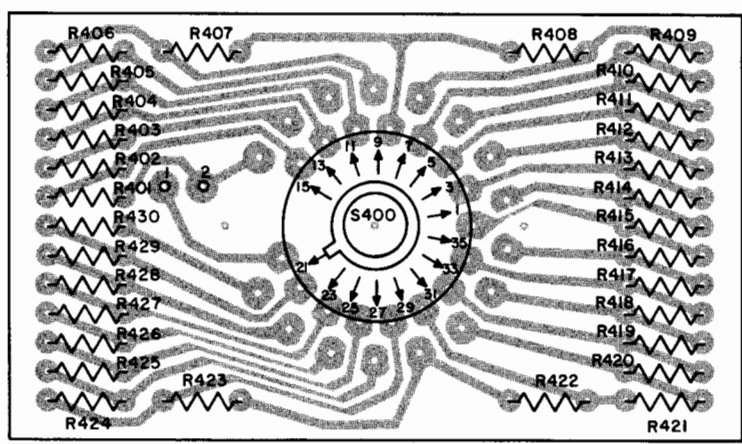


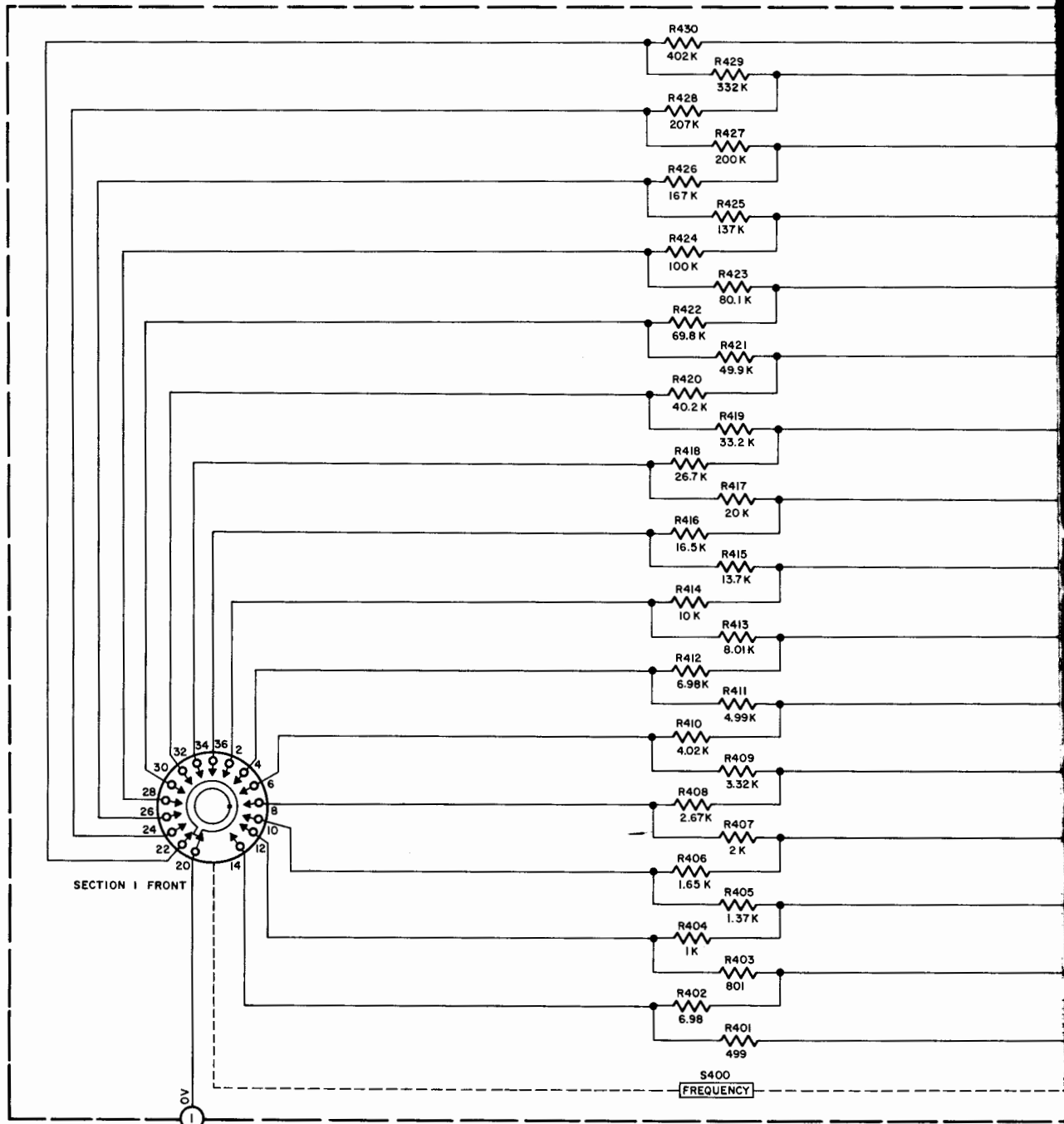
FILTER PC BOARD
045183





RESISTOR SWITCH PC BOARD
045-184
SEE NOTE 6



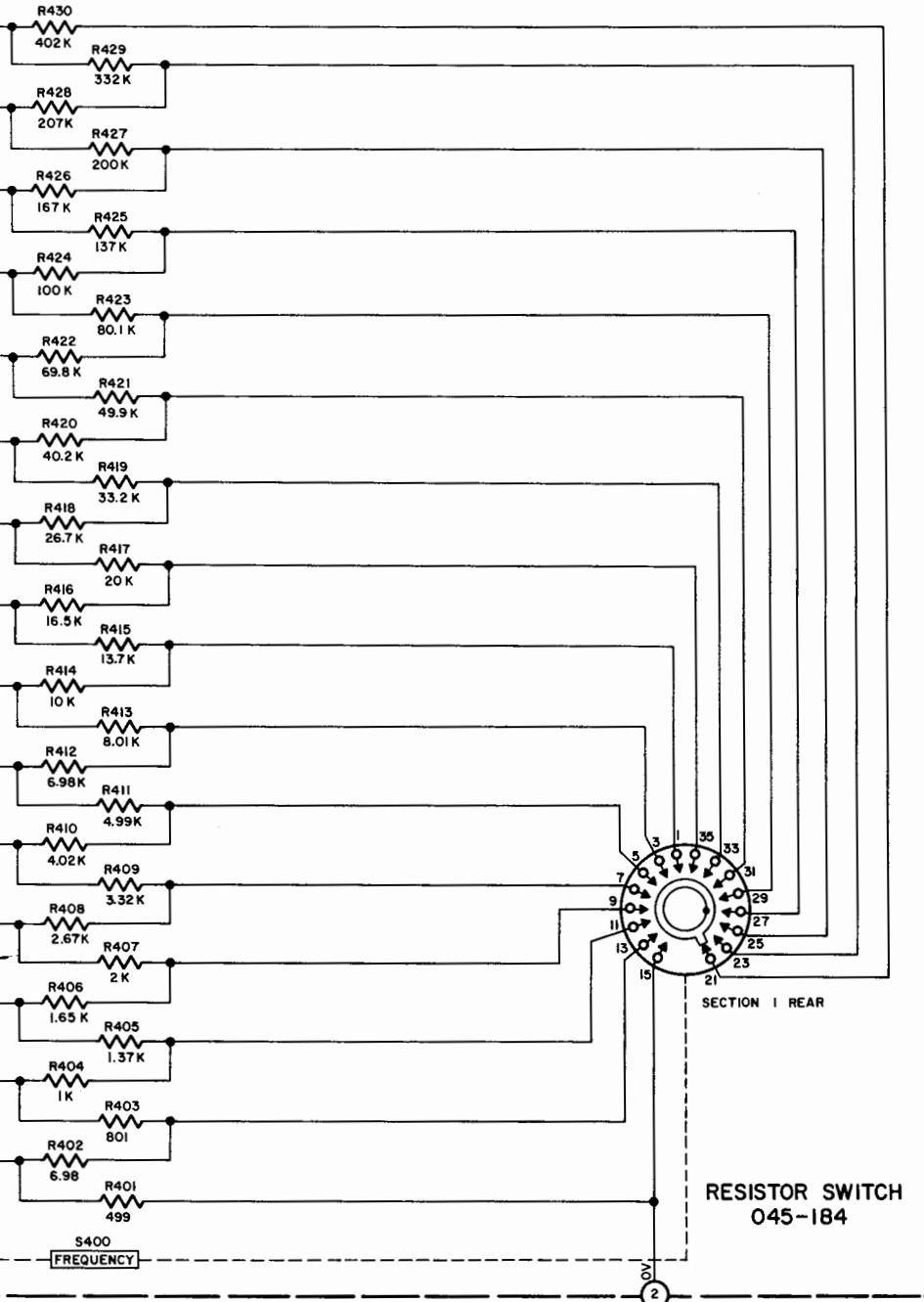


SECTION I FRONT

TO OCTAVE FILTER
0V

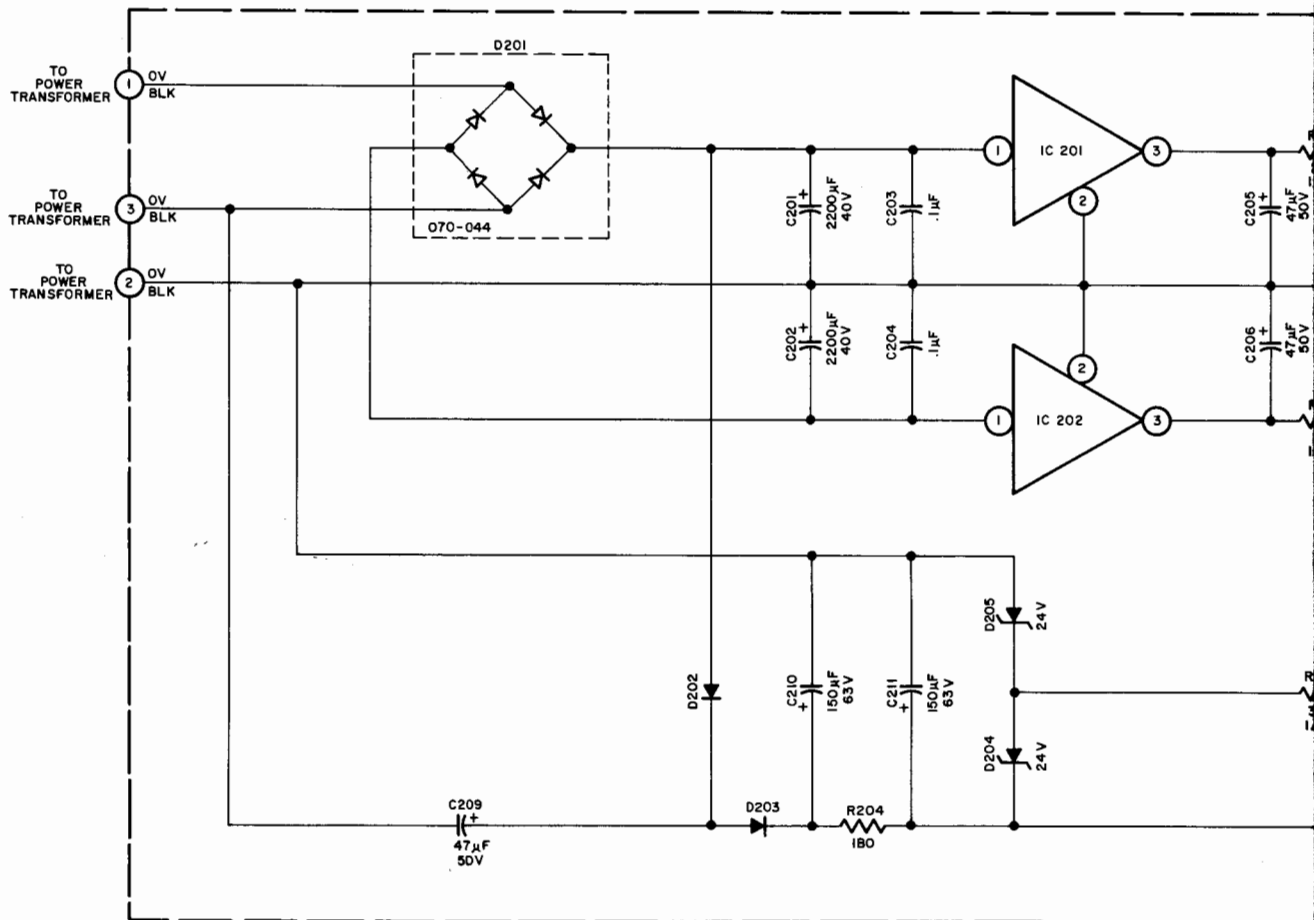
S400
FREQUENCY

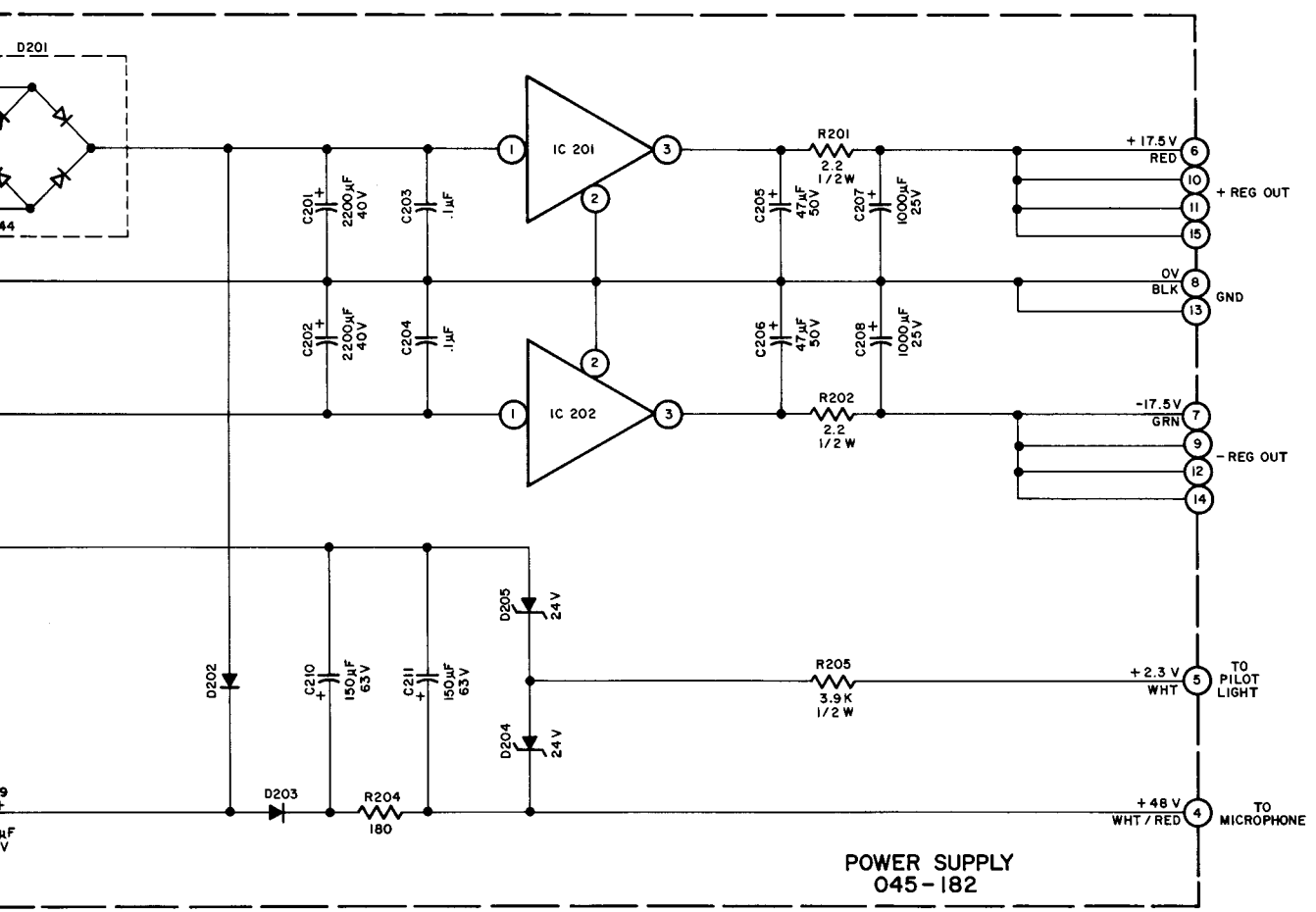
S400
SHOWN IN
20 Hz (FULL CCW)
POSITION



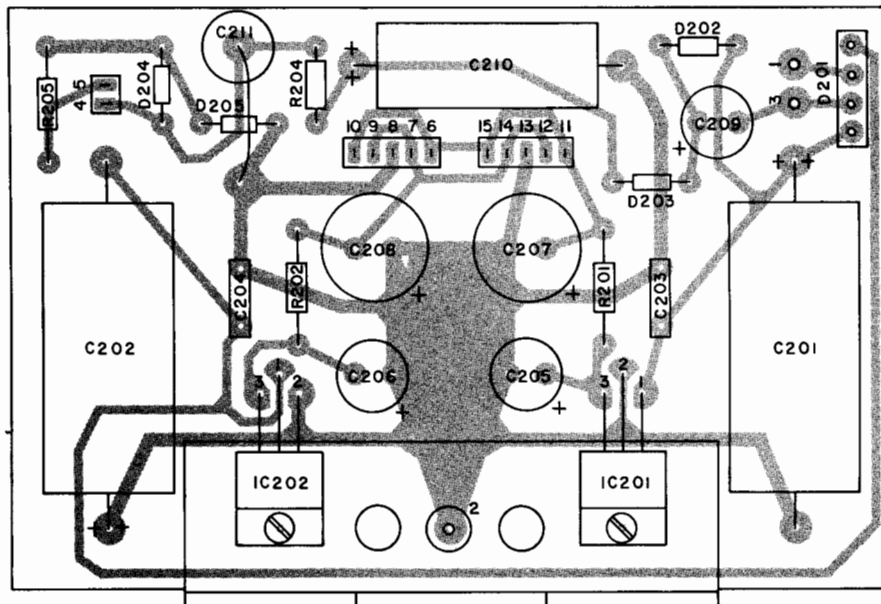
S400
SHOWN IN
20 Hz (FULL CCW)
POSITION

RESISTOR SWITCH

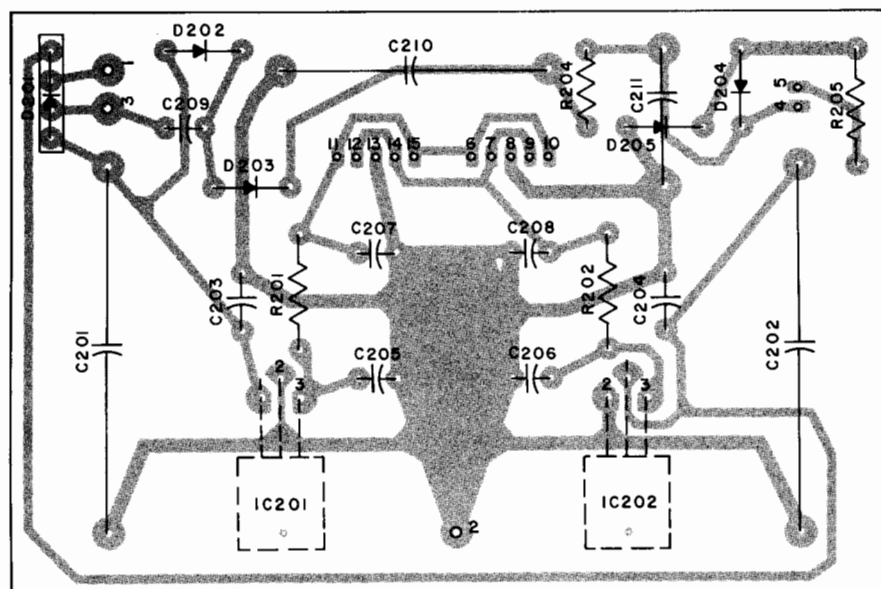




POWER SUPPLY
045-182



AA2 POWER SUPPLY PC BOARD
045182



REPLACEMENT PARTS

All parts not listed are common items obtainable from radio parts jobbers.

Replacement parts may be obtained when ordered by PART NUMBER from:

McIntosh Laboratory, Inc.
Customer Service Department
2 Chambers Street
Binghamton, New York 13903
(Telephone 607-723-3512)

METERS

M1 Meter 124-030

KNOBS

Frequency 090-192
Meter range 090-193
Function 090-193
Pink noise level 090-193

MICROPHONE

Microphone 250-049

MISCELLANEOUS

Mic stand adapter 114-062
Cable 6 ft. 170-109
Cable 6 ft. 170-110
Handle 114-060
Owners Manual 039-026
Graph paper pad 039-050
Line cord 170-021
Fuseholder 178-099
Shipping carton 033-245
Headphone jack 117-138

DIODES

Symbol Number	Description	Part Number
D1	LED lamp	070-100
D101,102	Si. signal diode	070-047
D103,104	Si. signal diode	070-047
D201	Bridge	070-044
D202,203	Si. signal diode	070-047
D204,205	Zener 24V	070-065

INTEGRATED CIRCUITS

IC101,107	Integrated Circuit	133-043
IC102,104	Integrated Circuit	133-037
IC105,106	Integrated Circuit	133-037
IC103	Integrated Circuit	133-055
IC201	Regulator + 18V	133-045
IC202	Regulator - 18V	133-044
IC301,302	Integrated circuit	133-043
IC303,304	Integrated circuit	133-043
IC305,306	Integrated circuit	133-043

SWITCHES

S101	Meter range	146-189
S102	Function	146-190
S400	Filter (Wafer)	146-192
S400	Filter (Hardware)	146-191
S1	Time averaging	149-011
S3	Power	149-011

POTENTIOMETERS

R1	Mic. Cal.	134-318
R3	Pinc noise level	134-317
R140,142	Trimmer 100 Ω	134-298

TRANSFORMERS

T1	Power transformer	159-140
----	-------------------	---------

FUSES

F1	Fuse 1/8A Norm Blo	089-035
----	--------------------	---------